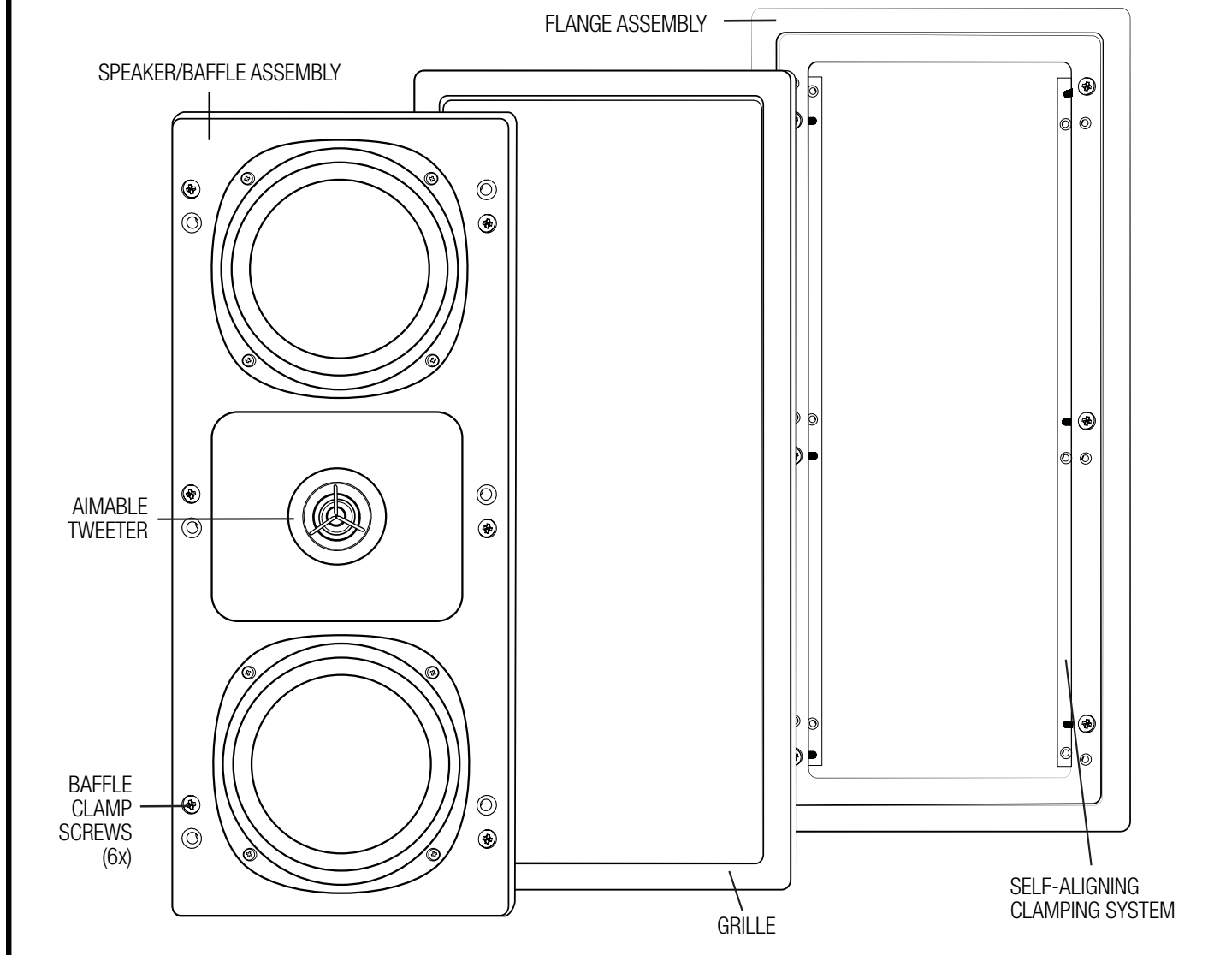


[GETTING STARTED]

FOR EFFICIENT INSTALLATION, YOU WILL NEED THE FOLLOWING TOOLS: • ELECTRIC SCREWDRIVER (DRILL) WITH PHILIPS BIT • TAPE MEASURE
• STUD-FINDER • 3/32" STANDARD SCREWDRIVER • DRYWALL SAW OR KNIFE • BUBBLE LEVEL • PENCIL



Thank you for purchasing the Phase Technology[®] CI110 II high definition in-wall speaker system. The mounting frame of extruded aluminum has a uniquely designed self-aligning clamping system to secure the flange assembly to the drywall. This patent pending design simplifies installation and reduces unwanted wall vibration resulting in improved performance and definition.



Phase Technology[®] Corporation
8005 W. 110th St., Suite 208
Overland Park, KS 66210
855.663.5600 (Domestic)
+1.913.663.5600 (International)
913.663.3200 (Fax)

All CI Series speakers include self-resetting solid-state PTC protection circuits. This unique system is able to detect when the speaker is being over-driven and lowers the speaker volume until the problem is corrected. The PTC device then resets itself for normal operation.

Regardless of application, serious audiophile listening or home theater, we recommend that you take the time to read this manual thoroughly before connecting speakers to your amplifier or receiver. In the highly unlikely event that you should experience a problem with set-up or operation, please contact one of our authorized dealers for assistance, or contact us directly.

SAFETY INSTRUCTIONS	2
INSTALLATION GUIDELINES	3
SPEAKER INSTALLATION	3
CARING FOR YOUR SPEAKER	4
MAINTENANCE AND SERVICE	4
WARRANTY	4
SPECIFICATIONS	4

[SAFETY INSTRUCTIONS]

	CAUTION RISK OF ELECTRIC SHOCK DO NOT OPEN	
CAUTION: To reduce the risk of electric shock, do not remove cover (or back). No user-serviceable parts inside. Refer servicing to qualified service personnel.		

Explanation of Graphical Symbols



The lightning flash with arrowhead symbol, within an equilateral triangle, is intended to alert you to the presence of un-insulated "dangerous voltage" within the product's enclosure that may be of sufficient magnitude to constitute a risk of electric shock to persons.



The exclamation point within an equilateral triangle is intended to alert you to the presence of important operating and maintenance (servicing) instructions in the literature accompanying the appliance.

1. Read Instructions - All the safety and operating instructions should be read before the appliance is operated.

2. Retain Instructions - The safety and operating instructions should be retained for future reference.

3. Heed Warnings - All warnings on the appliance and in the operating instructions should be adhered to.

4. Follow Instructions - All operating and other instructions should be followed.

5. Water and Moisture - The appliance should not be used near water - for example, near a bathtub, washbowl, kitchen sink, laundry tub, in a wet basement, or near a swimming pool, etc.

6. Carts and Stands - The appliance should be used only with a cart or stand that is recommended by the manufacturer.

PORTABLE CART WARNING



7. Wall or Ceiling Mounting - The appliance should be mounted to a wall or ceiling only as recommended by the manufacturer.

8. Ventilation - The appliance should be situated so that its location or position does not interfere with its proper ventilation. For example, the appliance should not be situated on a bed, sofa, rug, or similar surface that may block the ventilation openings; or placed in a built-in installation, such as a bookcase or cabinet

that may impede the flow of air through the ventilation openings.

9. Heat - The appliance should be situated away from heat sources such as radiators, stoves, or other appliances that produce heat.

10. Power Source - The appliance should be connected to a power supply only of the type described in the operating instructions or as marked on the appliance.

11. Power Cord Protection - Power supply cords should be routed so that they are not likely to be walked on or pinched by items placed up or against them, paying particular attention to cords at plugs, convenience receptacles, and the point where they exit from the appliance.

12. Cleaning - The appliance should be cleaned only as recommended by the manufacturer.

13. Nonuse Periods - The power cord of the appliance should be unplugged from the outlet when left unused for a long period of time.

14. Object and Liquid Entry - Care should be taken so that neither objects fall nor liquids spill into the inside of the appliance.

15. Damage Requiring Service - The application should be serviced by qualified service personnel when:

- the power supply cord or the plug has been damaged,
- objects have fallen onto or liquid has been spilled into the appliance,
- the appliance has been exposed to rain,
- the appliance does not appear to operate normally or exhibits a marked change in performance, or
- the appliance has been dropped or the cabinet damaged.

16. Servicing - The user should not attempt to service the appliance beyond those means described in the operating instructions. All other servicing should be referred to qualified service personnel.

17. Grounding or Polarization - Precautions should be taken so that the grounding or polarization means of an appliance is not defeated.

APPLICABLE FOR USA, CANADA OR WHERE APPROVED FOR USAGE

CAUTION: TO PREVENT ELECTRIC SHOCK, MATCH WIDE BLADE PLUG TO WIDE SLOT, INSERT FULLY.

ATTENTION: POUR EVITER LES CHOCS ELECTRIQUES, INTRODUIRE LA LAME LA PLUS LARGE DE LA FICHE DANS LA BORNE CORRESPONDANTE DE LA PRESE ET POUSSER JUSQU'AU FOND.

[INSTALLATION GUIDELINES]

When selecting the speaker mounting location, it is prudent to take a few extra minutes to carefully inspect and measure the wall or ceiling area where you intend to mount the CI110 II. An inspection of the room or rooms that back-up to the wall you have selected for mounting the CI110 II, can often alert you to potential obstacles. For example, if the wall you want to mount into happens to be the common wall for a bathroom or kitchen, there is a good chance you will encounter water or sewer pipes in the wall that will not be detected by a stud-finder. An electronic stud-finder is a useful tool to assist you in selecting the speaker placement, however be cautious as they often give false readings.

Drilling a .5" inspection hole will save you time and eliminate the need to elaborate drywall repair. If you are unable to see into the hole, use a stiff piece of wire or coat hanger with a right angle bend 5" - 6" from one end. Insert the wire into the inspection hole and spin in all directions. If you do not hit any obstructions, such as wood or pipes, it is usually safe to proceed. If any obstructions are detected, an alternate location should be selected. You will want to center the speaker equidistant between studs when possible – if your mounting position places the speaker flange close to a stud, you may remove the clamp assembly on that side and secure the flange directly to the stud using drywall or wood screws.

Choose the appropriate mounting location for each speaker.

NOTE: When deciding upon a location, consider the following:

- Be certain your speaker wires can be run to or are accessible from these locations.
- Make certain the wall or ceiling material is sturdy enough to support the weight and vibration of the speakers.
- It is recommended that our pre-construction rough-in brackets (**part number RB5**) be used whenever possible in new construction.
- Be certain the area behind the speaker is free of obstacles such as wall studs, electrical wiring, pipes, etc.
- Each speaker should be positioned properly, relative to the listening area for good coverage.
- Audio performance and room-to-room isolation will be improved if there is some fiberglass insulation placed loosely behind the speaker.

[SPEAKER INSTALLATION]

STEP 1: The cutout opening for the CI110 II is 20.375" X 8.875". Place the cutout template against the wall surface and align it using your bubble level. Hold, tape or staple the template in place and trace around the perimeter of the template with a pencil. Remove the template and begin cutting on the pencil line.

STEP 2: When the cutout is complete, carefully remove the drywall piece from the opening. You now have a large opening to facilitate pulling your speaker wire. We recommend 16 gauge or heavier wire be used with the CI110 II. Contact your Phase Technology® Dealer for a recommendation.

STEP 3: We recommend a piece of fiberglass insulation for maximum performance. It is available from your local home center. Be careful not to overstuff the cutout – one piece the length of the opening will be adequate.

STEP 4: Carefully remove the speaker baffle from the aluminum frame assembly and set aside. Remove the flange assembly from the packing carton. The flange assembly must make a good seal to insure maximum performance. You will find two L-shaped foam gasket pieces in the bottom of the carton. Peel the removable tape from the gasket and stick the adhesive side to the backside of the flange. Upon installation of the flange assembly gasket will contact the front wall surface to form an airtight seal.

STEP 5: When you remove the flange assembly from the packing carton, you will notice the screws used to retain the clamp assembly are fully extended. To place the flange assembly into the wall push the clamp assemblies toward the center of the flange opening; the holes in the flange will allow the mounting screws to tilt toward the center opening enough to insert the flange assembly into the wall. Insert the right side into the wall cutout and slide the complete assembly to the right. This will enable you to then fit the left side clamp assembly into the cutout. Center the entire assembly in the opening.

STEP 6: Pinch the self-aligning clamp assembly inside the wall until it contacts the backside of the drywall surface. This will force the three retaining screws to protrude from the front of the flange. Continue to hold the clamp with one hand and use the electric screwdriver to tighten the center screw of the flange. Once snug, repeat the procedure on the other clamp assembly. Using your level, verify the mounting frame is correctly aligned in the opening. Make any necessary adjustments then tighten the remaining screws until the frame is snug and securely clamping the wallboard. Avoid over-tightening the screws.

STEP 7: You are now ready to install the speaker baffle into the mounting flange. An Euro-connector is supplied on the crossover board.

This is a two-piece connector intended to make installation easier. Unplug the male portion of the connector from the circuit board. Insert the positive and negative conductors of your speaker wire into the screw terminal using care to properly connect the + & - leads correctly. Using a 3/32" standard screwdriver, tighten the screws in the connector to secure the wire.

STEP 8: When mounting the speaker baffle into the flange, pay particular attention to insure the speaker is mounted right side up. The rear panel of the baffle is marked for correct installation. Optimum performance may only be achieved when the speaker is mounted correctly. Plug the connector into the crossover observing the correct polarity then install the baffle into the flange assembly. Six screws are supplied to secure the baffle to the flange. Hold the baffle in position until you have at least two screws properly secured.

STEP 9: Insert the grille assembly by applying light pressure at each corner of the grill until flush with the flange assembly. A paint shield is supplied with each grille to protect the drivers in the event the customer wants the grill and flange assembly painted to match the wall color. Once the paint has dried, remove the paint shield and re-insert the grille. **NOTE:** A paper clip bent to have a small hook approximately 1/8" long makes a convenient tool for removing CI grilles without scratching the finish.

[CARING FOR YOUR PHASE TECHNOLOGY SPEAKER]

All Phase Technology speakers are finished with a high degree of craftsmanship in either hand polished paint or vinyl laminates. We recommend using a lint-free rag with a small amount of glass cleaner to maintain the long-lasting beauty of the finish. Avoid products containing silicones, oils, oil derivatives, or solvents. Use a damp cloth on enclosures finished in vinyl laminates.

[MAINTENANCE AND SERVICE]

Because of Phase Technology's uncompromising quality control programs, it's unlikely that your speakers will ever need service if connected and used as outlined in this Owners' Manual. In the unlikely event that a problem does occur, please contact your Phase Technology dealer. Your dealer has the necessary factory-authorized parts and trained technicians to quickly restore your speaker to its original performance specifications.

[WARRANTY]

LIMITED WARRANTY: Phase Technology warrants its loudspeakers to be free from defects in material and workmanship for a period of ten (10) years for speaker product, limited lifetime for CI speakers, and three (3) years for the electronic components to the original purchaser. Purchase must be made from an authorized Phase Technology dealer.

This warranty does not cover service or parts to repair damage caused by misuse, abuse, damage while in transit, alterations, unauthorized repairs, failure to follow instructions, fire, flood or any other cause beyond the reasonable control of Phase Technology. Defects in speaker cabinets or grilles must be brought to the attention of your dealer immediately after purchase. This warranty will be void if the products' serial number has been altered or removed.

Should your Phase Technology product require service, please call the MSE Audio customer service department for a return authorization. All merchandise returned to Phase Technology without prior authorization will be refused. For your return authorization number, please call 855.663.5600 or email sales@mseaudio.com.

[SPECIFICATIONS]	CI110 II
TWEETER	1" Patented Pivoting Woven Synthetic Soft Dome
WOOFER	6.5" RPF™ Flat-Piston & Kevlar Composite w/ NBR Surround
RMS	20 - 150 W
FREQUENCY	32 Hz - 22 kHz
SENSITIVITY	91 dB
IMPEDANCE	8Ω
CROSSOVER	2-Way Absolute Phase™
DIMENSIONS	21.5" H x 10" W x 4.25" D
CUTOUT DIMENSIONS	20.375" H x 8.875" W
MOUNTING DEPTH	4"
WEIGHT	21 lbs.
GRILLE	Paintable White Powder-Coated Galvanized Steel
ACCESSORIES	Pre-Construction Bracket (RB-5), CI-FGQM/S Flange & Grille (extends over edge)

Copyright © 2015 MS Electronics, LLC. All rights reserved. MSE Audio, Phase Technology and PhaseTech are registered trademarks and "Speakers for your Life" is a trademark of MSE Audio, Overland Park, Kansas USA. Phase Technology is part of MSE Audio®. www.phasetech.com.

218-1107



www.mseaudio.com | 8005 W. 110th Street | Suite 208 | Overland Park, KS 66210 | p:913.663.5600 | f:913.663.3200